



KG10D Time Switch

1. General

KG10D Microcomputer Time Switch can automatically turn on or turn off power supply of various consumer equipments according to preset time by user. The controlled objects are circuit equipments and household appliances such as street lamps, neon lamps, advertising lamps, manufacturing equipments, broadcast & television equipments, etc., which requires turning on and off at

2. Technical data

Operating mode	Time automatic control
Rated operating voltage	AC220V 50Hz/60Hz
Applicable voltage range	(85%~110%)Ue
Rated operating current	AC-15 220V 3A
Contact number	One group changeover or 1 ON
Electrical life	1×10^5
Mechanical life	1×10^6
Battery	Built-in rechargeable battery
Time control range	1 min~168h
Timing error	$\leq 2s/day$
Times of open/close	16 opens & 16 closes
Consumed power	<4VA
Relative humidity	$\leq 95\%$
Ambient temperature	-25℃~+60℃
Installation mode	Guide rail type
External dimension	100.2×49.8×75.5

3. Wiring diagram

- 3.1 KG10D-1H is 1 ON and see Figure 4 for wiring method;
- 3.2 KG10D-1Z is 1 ON/ 1 NC and see Figure 3 for wiring method;
- 3.3 Wiring for single-phase direct control mode: direct control mode can be used for electrical apparatus which is single-phase power supply and its power consumption doesn't exceed rated value of this switch. See Figure 1 for wiring method;
- 3.4 Wiring for three-phase operation mode: if the controlled electrical apparatus is three-phase power supply, it is required to externally connect three-phase AC contactor. See Figure 2 for wiring method for control contactor @ AC380V coil voltage, 50Hz.

Figure 1 single-phase load

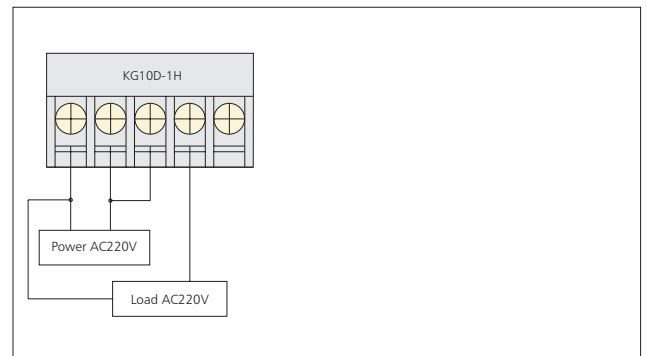


Figure 2 three-phase load

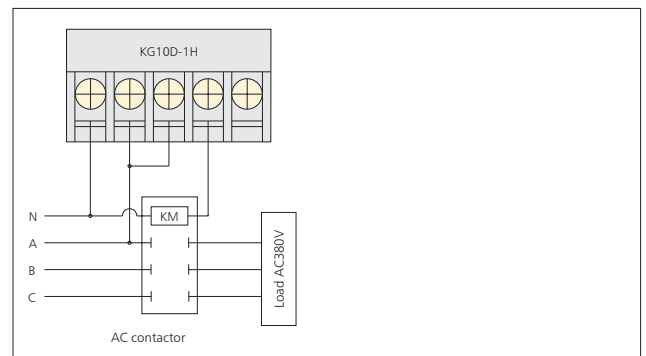


Figure 3 KG10D-1Z

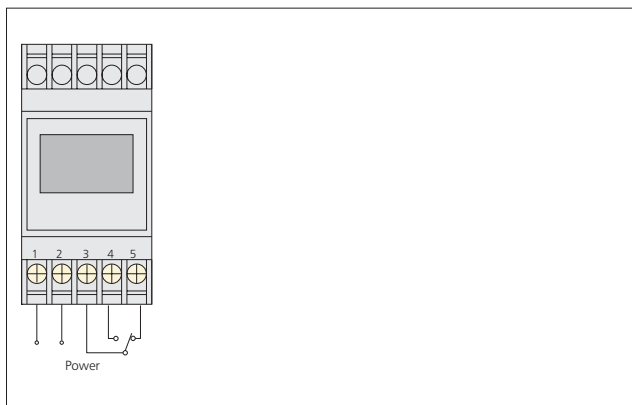
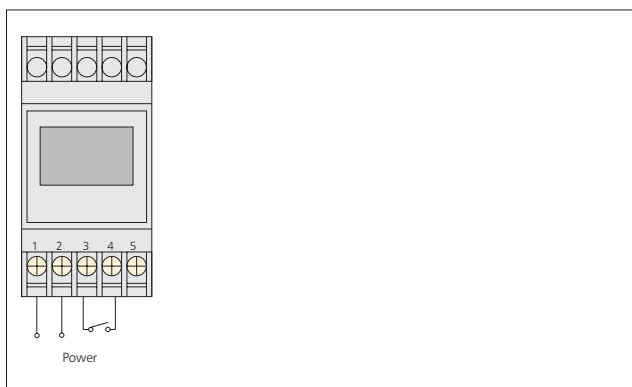


Figure 4 KG10D-1H



4. Overall and mounting dimensions (mm)

Profile installation dimensions

